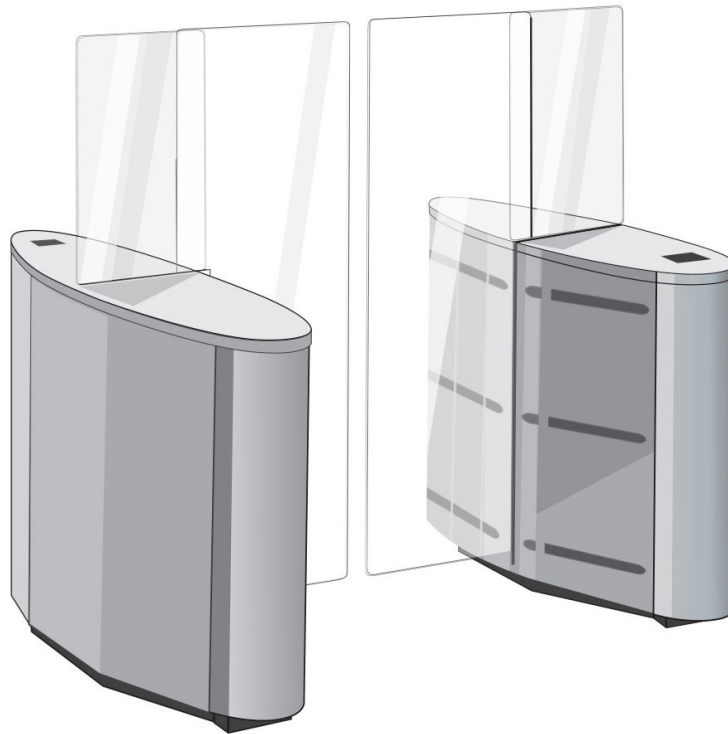


OBFG Standard

Optical Bi-Parting Full Glass Standard



Orion Entrance Control, Inc., offers a variety of aesthetically pleasing SpeedGates that best suit your individualized lobby needs.

The **Optical Bi-Parting Full Glass Barrier** standard width SpeedGate combines Orion's BeamScan™ optical detection solution with highly specialized engineering in the motion controls to provide a superior product with a classic look.

The standard finish is brushed stainless steel with horizontal grain and a Corian® top. Glass barrier height is available in either 4 feet (1219 mm), 5 feet (1524 mm), or 6 feet (1829 mm) above finished floor.



OBFG Standard Optical Bi-Parting Full Glass Standard

Method of Operation

When a person approaches the SpeedGate for entry, they present an access card or credential to the access control card reader. The reader is typically mounted inside the pedestal, under the Lane Status Indicator or LSI. If the credential is valid, entry is authorized. The top-mounted LSI will change to a green arrow pointing in the authorized direction. A confirmation tone will sound, giving the user both an audible and visual notification that they may pass through the SpeedGate. The barrier will retract into the pedestal and allow the user to walk through. A visual red X displayed on the LSI and an audible alarm signifies an invalid entry or a tailgating attempt.

Optical Detection

20 pairs (40 sensors) of industrial duty red LED photoelectric beams that are linked to the primary input/output board. The board has a 32-bit microprocessor for faster speed.

Throughput

One person per second. (Subject to access control outputs).

Tailgate Detection

The system recognizes patterns of movement through the lane to differentiate between a person pushing or pulling an item and a person attempting to piggy back on a valid entry. Beam scanning algorithmic pattern detection allows valid users of the lane to be within ¼ inch.

Bi-directional Card Stacking

For increased throughput the system is capable of receiving up to 99 authorized access credits. Barriers don't need to close between transactions and will remain in the open position until all of the credits are used. If all credits are not used or after 5 seconds of inactivity the system resets and secures the lane. Credit stacking is active in both directions simultaneously.

Sound Card

The Orion Sound Card emits 4 different tones via an 8 ohm speaker to indicate lane status, i.e.: valid transaction/enter, invalid card/intrusion, crawl/climb, or tailgate attempt. Digitally controlled, the sound card allows for volume adjustment on-board or via the Infinity Remote Lane Control™ software.

Power

This product requires two different power sources. 24VDC and 120VAC

24VDC:

The remote (24V,10A) power supply requires a dedicated 120V 15A circuit for power. An isolated 14 AWG 2 conductor cable is required to run from the power supply to each SpeedGate turnstile primary board. Each provided power supply will support up to four (4) lanes of turnstiles. The power supply is required to be installed within 100' of the SpeedGate turnstiles.

120VAC:

A dedicated 120V 15A circuit must be provided to each lanes primary pedestal to power the door control system. This circuit will provide power for up to four (4) lanes maximum.

Reader Integration

Mounting options for proximity and bar code card readers are located at each end of the pedestal, just under the LSI array. Upon request, Orion Entrance Control can integrate a variety of other readers (barcode readers, swipe readers, biometric readers, etc.) and access control solutions at both ends of the SpeedGate. We can also recommend a single device reader that provides the ability to read bar codes, QR codes, proximity cards, and I class cards.

Lane Status Indicators

LED arrays are fitted into the pedestal tops, one for each direction, to visually assist the user when passing through the lane. Can also be front mounted, if required.

Crawl Under Detection

Beams detect barrier crawl-under attempts as low as 10 inches from the floor and will trigger a visible and audible alarm and an appropriate trigger signal to the access control system.

Safety Features

Equipped with FACP Mode when activated, disables lane, LSI indicates free passage in both directions and powers barriers to the open position. The lanes will automatically restore when system is reset.

Warranty

Three (3) year return-to-factory warranty on all electrical components.

AVAILABLE OPTIONS:

Infinity Remote Lane Controller (Software Only) IRLC-SW

Orion's Infinity Remote Lane Control software is user friendly, intuitive and maximizes SpeedGate performance. IRLC-SW offers support for end users and integrators including advanced alarm type display, technical diagnostic service tools, lane beam status, I/O status, and on-the-fly volume adjustment.

Remote Lane Controller-Push Button RLC-PB

Allows security personnel access to lanes via desktop controller. A red LED indicates lanes in alarm and allows security personnel to acknowledge alarms, grant visitor access, reset barriers, and disables lanes.

Climb Over Detection

Utilizes load cell technology to detect an intruder attempting to climb on or over the pedestal top to gain entry.

Optical Lane Mounting Platform

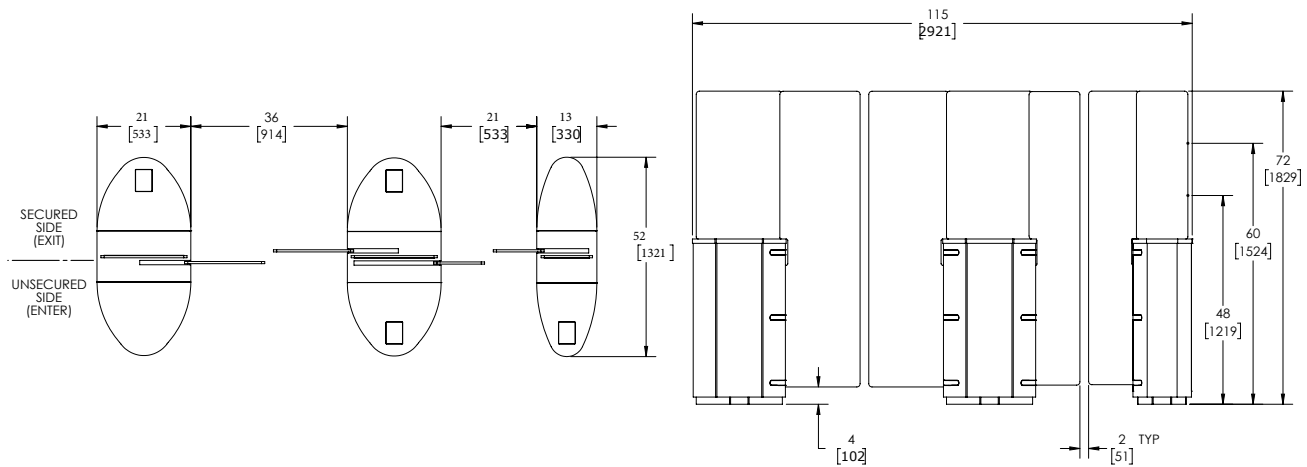
The Optical Lane Mounting Platform (OLMP) allows pedestals to be mounted and wired without having to core or drill into the floor.

Logo Printing on Glass

Your logo or art is Dip-Tech printed on the glass panels.

OBFG Standard

Optical Bi-Parting Full Glass Standard



TYPICAL
OBFG
ONE 21" STANDARD LANE
ONE 36" ADA LANE
2 LANE 3 PED

Technical Data

	Standard Inch	Standard MM
Lane Width	21	553
Pedestal Height	38	965
<i>Pedestal height may vary due to custom top material and technology installed</i>		
Pedestal Length With Rounded Ends	52	1321
Pedestal Width	13	330
Glass height available AFF	48, 60, 72	1219, 1524, 1829

Certifications



Conforms to UL Standard 60950-1,
subject 2593

The drawing and picture presented is illustrative only. Orion Entrance Control, Inc. reserves the right to change product specifications without prior notice.