



OPTR™ WALL MOUNT

PRODUCT DATA SHEET

Model: OPTR-W



OPTR

ORION PRE-ENTRY TEMPERATURE READER WALL MOUNT

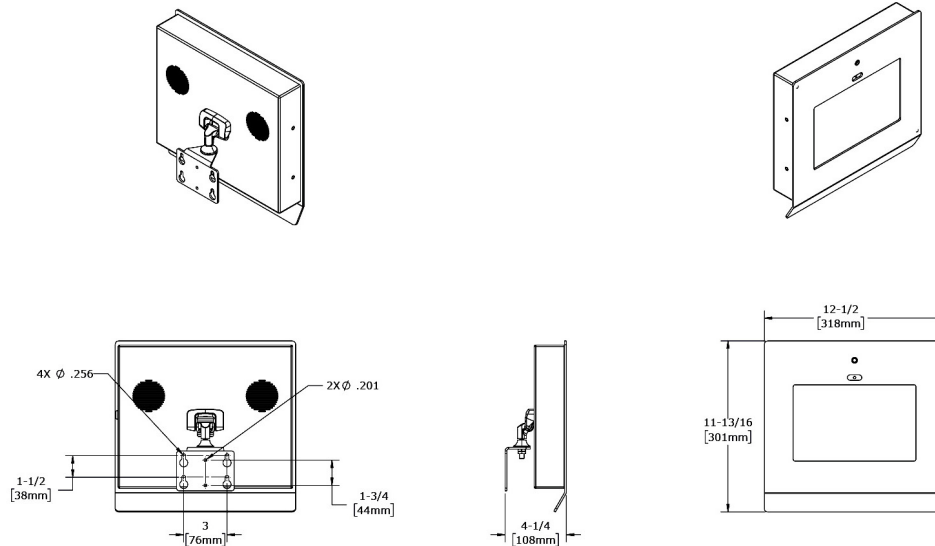
The Orion Pre-Entry Temperature Reader was developed to quickly and accurately verify the temperature of individuals attempting to enter your premises. Immediate temperature results and programmable alerts are provided for decision making personnel.

- Temperature Accuracy within 0.5° F
- User-Friendly and Easy to Install
- Fast Results in approximately 1 second





PRODUCT DATA SHEET



OPTR TECHNICAL SPECIFICATIONS

INFRARED TEMPERATURE SENSOR	
Temperature Check Distance	12" to 18" (0.30m-0.46m)
Temperature Check Range	86°F to 113°F (30°C-45°C)
Temperature Check Error	±0.9°F (0.5°C) @1HZ
Power Consumption	120V 15A Wall Outlet
OS	Android 7.1
CONNECTIVITY	
Ethernet	10/100 LAN
Wi-Fi	801.11 b/g/n 2.4GHz & 5GHz
I/O	1x RJ45; 1x USB; 1x Micro-USB; 1x3.5mm Audio
HDMI Port	1
Optional I/O	2 Relay Output
Front Facing Camera	2MP Fixed Focus - Used for guidance
ENVIRONMENTAL LINKS	
Operating Temp & Humidity	32°F - 104°F (0°C-40°C) & 20%-80%
DIMENSIONS	
Wall Mount (OPTR) W"xH"xD"	12.5 x 11 x 4.25
Wall Mount (OPTR) Weight lbs (kg)	10 lbs (4.53 kg)