



# DOORGUARD™

## PRODUCT OVERVIEW

---

### PROTECT YOUR ASSETS WITH INTELLIGENT DETECTION SOLUTIONS

Orion Secure DoorGuard was created utilizing intelligent detection to mitigate one of the security industry's greatest threats: tailgating, and false alarms. When DoorGuard detects an event, relay outputs can be integrated into any Access Control/VMS Platform for real time monitoring and recording.



### SLEEK AND COMPACT

DoorGuard is easily installed as a wall mount, or recessed ceiling option, each of which allows for easy installation and maintenance. This system fully integrates with Orion's Infinity Remote Lane Control™ software and speedlane turnstile systems, and is universally compatible with any existing access control system.

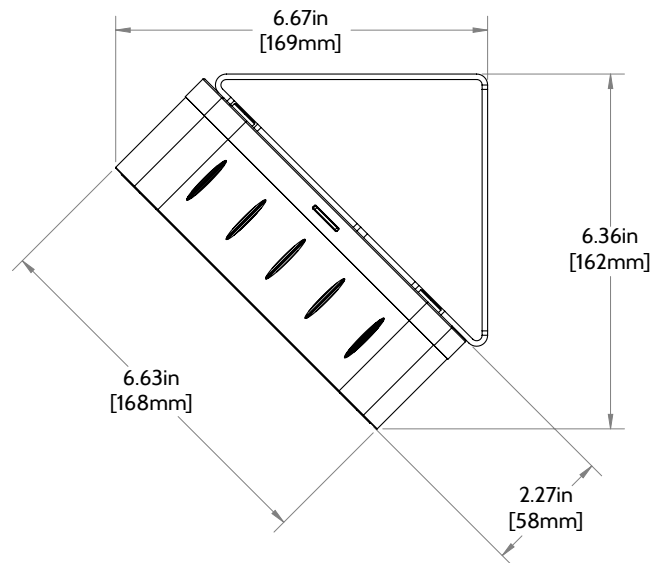
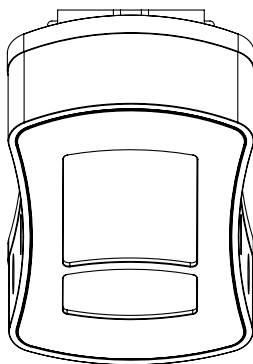
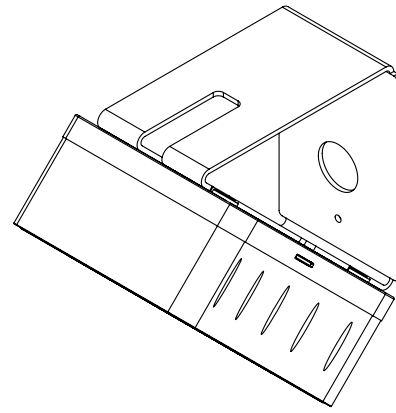
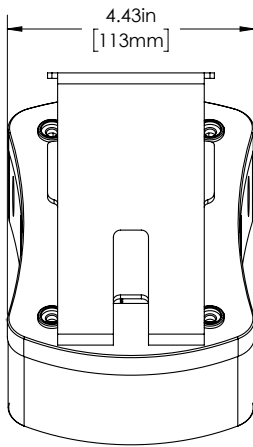
### HOW IT WORKS

DoorGuard is powered by LiDAR (Light Detection and Ranging) technology to check that every single individual passing the entry point has presented an authorized credential. If one credential is scanned and more than one person enters, DoorGuard will automatically alert security of a tailgater.



# DOORGUARD™

## WALL MOUNT PRODUCT SPECS





# DOORGUARD™

## CEILING MOUNT PRODUCT SPECS

