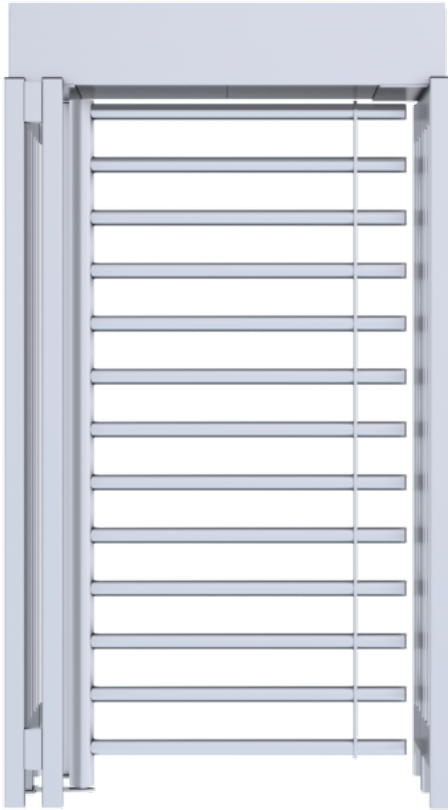




Orion MS100

Full Height Gate

Product Data Sheet



FEATURES

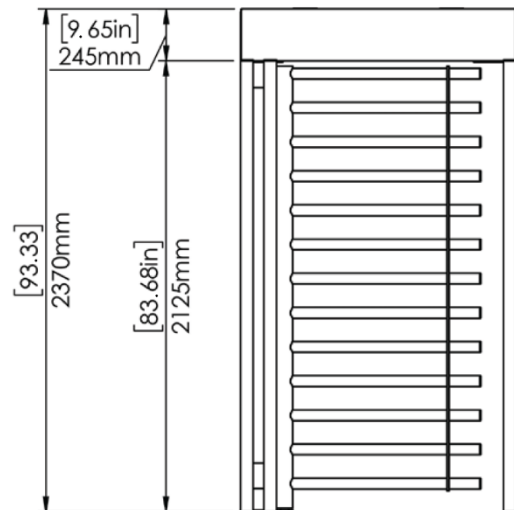
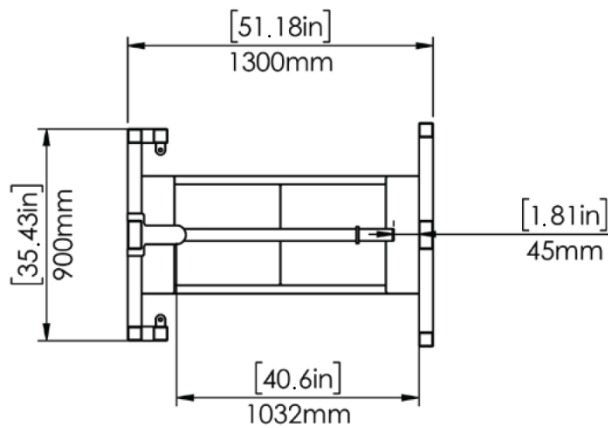
- Full height single barrier motorized pedestrian door.
- Portal and housing made of steel.
- Extremely robust and water resistant.
- Suitable for interior or exterior use.
- Unidirectional or bidirectional operation.
- Thirteen rod-shaped crossbars with plastic caps on each section of the rotor.
- Steel filler rods for limitation of passage.
- Fail-safe operation as standard. (Optional fail-locked)

MATERIALS

- Hot-dipped galvanized.
- Hot-dipped galvanized plus powder coat.
- Hot-dipped galvanized plus plastic coated in RAL colors.
- AISI 304 stainless steel.
- AISI 316 stainless steel.

DIMENSIONS

- Complete Height: 2370 mm / 93.33 in.
- Complete Depth: 900 mm / 35.43 in.
- Complete Width: 1300 mm / 51.18 in.
- Passage Width: 1032 mm / 40.60 in.





Orion MS100

Full Height Gate

Product Data Sheet



SETTINGS

- Operation mode for each direction : Controlled / Free / Locked
- Acoustic notifications: On/Off
- Release time out: 5-10-15-20 Seconds
- Consecutive passage: On/Off
- Emergency connection LED: On/Off
- Indicator options: Option 1 / Option 2
 - Option 1: Green: Standby or locked
Red: Released or free passage
 - Option 2: Green: Released or free passage
Red: Standby or locked

SPECIFICATIONS

- Weight: 200 Kg / 440 lbs.
- Power Supply: 100 - 240 VAC, 50/60 Hz
- Logic Voltage: 24V DC
- Standby power consumption: 12 W
- Operation Temperature: -10 ° / +70 °
- IP Protection: Housing IP54 / Logic Controller IP65

INCLUDED ACCESSORIES

- Card reader mounting plate.
- LED indicators.

OPTIONAL ACCESSORIES

- Heating kit for -40 degrees.
- Stainless steel apron infill / Tempered glass infill.
- Ramp Plate.
- Roof & Canopy.
- Tempered glass side panels.
- Mounting plate (suitable for forklift transport).
- Mounting frame for installation into concrete.
- Back-up battery - 7A.
- Access controller integration options.
(Please contact an Orion sales representative for a full list of options and accessories.)

ADDITIONAL FEATURES

- Can be installed in conjunction with motorized or manually operated full height pedestrian doors.
- A self-centering mechanism to ensure complete rotation of the mechanism to the home position.
- Lockable maintenance lid with top opening for easy maintenance.

FUNCTIONS & INTERFACE

- Logic controlled interface.
- Entrance and exit directions can be individually set as controlled, locked, or free before or after the installation.
- In controlled access mode, after confirmation is sent by the access control system, the turnstile unlocks for the released direction and enables one person access in the direction of travel. After each person, the turnstile rotor blocks passage again and does not permit access from both entrance and exit directions until receiving a new confirmation signal from the access control system.
- The turnstile will lock itself after an adjustable time if no transition or passage occurs.
- If people from both directions would like to pass through simultaneously, the first person who activates the gate takes precedence.
- Multiple user confirmations: An additional person can give a confirmation for the next passage cycle during an ongoing passage cycle in either direction. The turnstile controller stores up to 255 confirmations and will let a corresponding number of individuals pass through.
- Relay outputs for counting passage in either direction.
- RS 232 serial port.
- Control for inputs and outputs via potential-free contact.

EMERGENCY & POWER CUT

In the event of emergency or power-cut the mechanism rotates freely in both directions. The turnstile resets itself automatically when the emergency alarm ends, or power is restored.

