



Orion Maxima MR-T 672PC

Full Height Turnstile

Product Data Sheet



FEATURES

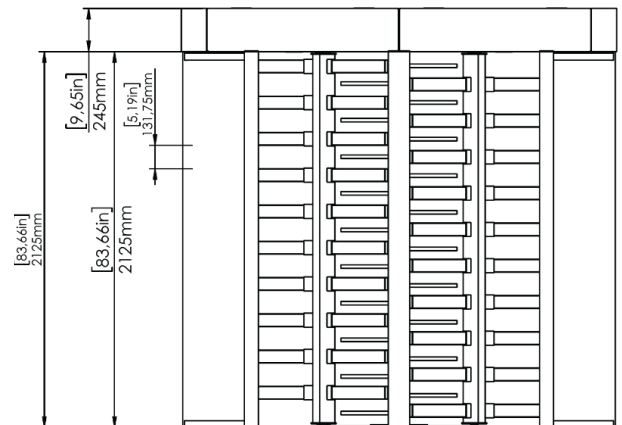
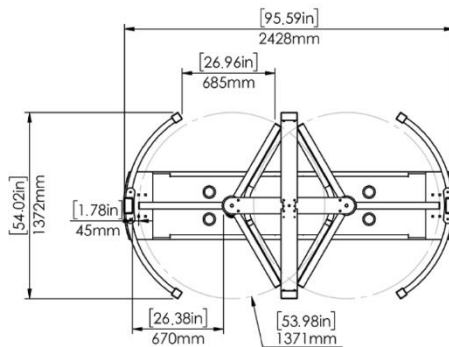
- Portal and housing made of steel and polycarbonate
- Two conjoined Full Height Turnstiles with polycarbonate walls on each end
- Extremely robust and water resistant
- Two sets of three rotor blades with arms 120° apart
- Ten polycarbonate rotor arms
- Polycarbonate filler rods for limitation of passage
- Unidirectional or bidirectional operation
- Hydraulic damper to ensure smooth operation
- Anti-backup device to prevent reverse rotation once the mechanism has moved 30 degrees from the home position
- Fail-safe operation as standard (Optional fail-locked)

MATERIAL OPTIONS

- AISI 304 Stainless steel frame
- AISI 316 Stainless steel frame
- Polycarbonate sides and rotor arms

DIMENSIONS

- Complete Height: 2370 mm / 93.31"
- Complete Width: 2428 mm / 95.59"
- Passage Height: 2125 mm / 83.66"
- Passage Width: 670 mm / 26.38"
- Entrance Width: 685 mm / 26.96"
- Distance Between Bars: 131 mm / 5.19"

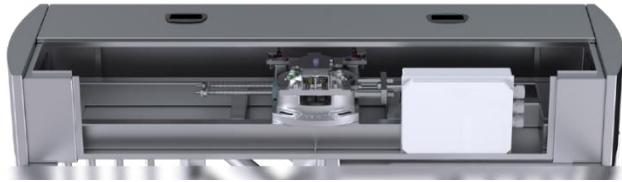




Orion Maxima MR-T 672PC

Full Height Turnstile

Product Data Sheet



SETTINGS

- Operation mode for each direction : Controlled / Free / Locked
- Acoustic notifications: On/Off
- Release time out: 5-10-15-20 Seconds
- Consecutive passage: On/Off
- Emergency connection LED: On/Off
- Indicator options: Option 1 / Option 2
 - Option 1: Green: Standby or locked
Red: Released or free passage
 - Option 2: Green: Released or free passage
Red: Standby or locked.

SPECIFICATIONS

- Weight: 390 Kg/ 860 lbs
- Power Supply: 100 - 240 VAC, 50/60 Hz
- Logic Voltage: 24V DC
- Standby power consumption: 12 W
- Operation Temperature: -10 ° / +70 ° C
- IP Protection: Cabinet IP54 / Logic Controller IP65

INCLUDED ACCESSORIES

- Card reader mounting plate
- Card reader box
- Ceiling lights
- LED indicators

OPTIONAL ACCESSORIES

- Heating kit for -40 degrees
- Electromagnetic locks
- Roof with or without water outlet
- Tempered glass side panels
- Mounting plate (suitable for forklift transport)
- Mounting frame for installation into concrete
- Back-up battery - 7A
- Access controller integration options
(Please contact an Orion sales representative for a full list of options and accessories)

WIRING INFORMATION

- 120vAC
- Access control
- Fire alarm
- Relay output monitoring

ADDITIONAL FEATURES

- Disassembled delivery as a kit for easier transportation or for places that are difficult to access.
- Can be installed in conjunction with the MD100 or the MS-102 full height pedestrian gates.
- A self-centering mechanism to ensure complete rotation of the mechanism to the home position.
- Lockable maintenance lid with top and side opening for easy maintenance and installation in areas with low ceilings.

FUNCTIONS & INTERFACE

- Logic controlled interface.
- Entrance and exit directions can be individually set as controlled, locked, or free before or after the installation.
- In controlled access mode, after confirmation is sent by the access control system, the turnstile unlocks for the released direction and enables one person access in the direction of travel. After each person, the turnstile rotor blocks passage again and does not permit access from both entrance and exit directions until receiving a new confirmation signal from the access control system.
- The turnstile will lock itself after an adjustable time if no transition or passage occurs.
- If people from both directions would like to pass through simultaneously, the first person who activates the turnstile takes precedence.
- Multiple user confirmations: An additional person can give a confirmation for the next passage cycle during an ongoing passage cycle in either direction. The turnstile controller stores up to 255 confirmations and will let a corresponding number of individuals pass through.
- Relay outputs for counting passage in either direction.
- RS 232 serial port.
- Control for inputs and outputs via potential-free contact.

EMERGENCY & POWER CUT

In the event of emergency or power-cut, the mechanism is fail-secure (locked) for entry and is fail-safe (unlocked) for egress as the standard. The turnstile resets itself automatically when the emergency alarm stops, or the power is switched back on. Both Fail-secure and Fail-safe options are available for either direction.

MOUNTING INFORMATION

A level mounting surface is required. We suggest concrete pads have dimensions that are at least 4 inches (101mm) wider than the dimensions of the mechanical turnstile. This allows the anchor bolts space from the edge of the pad. Typical concrete depth is 6 inches (152mm) minimum, allowing for a minimum 4-inch (101mm) anchor depth.